

Outdoor Accents[®]
decorative hardware
collections



Choose **Your**
Outdoor **Style**

Designing Strong, Custom Outdoor Living Structures Is Now **All About Choice**

Outdoor Accents® connectors now feature two decorative styles to match your taste and complement your project

The **Avant Collection™** is our latest full line of decorative wood connectors and fasteners. Featuring straight edges and chamfered corners, this collection offers a clean, timeless design that complements nearly every architectural style.

The **Mission Collection®** is our original, full line of decorative wood connectors and fasteners. Featuring decorative edges with a southwestern flair, this collection brings both design elegance and structural strength to your outdoor living areas.



Both styles of Outdoor Accents hardware accommodate nominal and rough lumber sizes, giving you greater flexibility for designing and building custom outdoor structures.

Key Features

- Structural strength has been tested and load rated to meet stringent building codes for high-wind or seismic conditions
- ZMAX® galvanized steel with a black powder coat provides corrosion protection
- Fastener and patented hex-head washer — the only approved fastener solution for Outdoor Accents connectors — create decorative bolt-like connections, but install with the ease of a screw and without predrilling

SIMPSON

Strong-Tie



The Look of a Bolt, the Ease of a Screw

The Outdoor Accents® hex-head washer and structural wood screw combination is designed to work with connectors in all Outdoor Accents collections. It provides the decorative appearance of a bolted connection, but is easier and faster to install than through-bolting. The hex-head washer is code listed (IAPMO UES ER-192). The hex-head washer and structural wood screw combination is the only tested and approved solution for fastening Outdoor Accents post bases, T and L straps and angles, flat straps, gable plates and deck joist ties in both the Avant Collection™ and Mission Collection®.



The Outdoor Accents structural wood screw reduces installation time by driving easily without predrilling. The structural screw and patented, code-listed hex-head washer look like a bolted connection, but install like a screw. The structural screw and hex-head washer required for installing Outdoor Accents connectors are sold separately.

US Patents 10,253,801
and D733,546

Outdoor Accents®



Mission

Collection®

Elegant Style.
Enduring Strength.

Connectors in our Mission Collection are designed with a mission-style arched profile that adds a touch of southwestern flair to your outdoor projects. The innovative hex-head washer-and-fastener combo makes installation quick and easy, while the black powder coat provides a distinguishing look. Your custom outdoor structures will be strong, safe and beautiful.





Start Strong with **Post Bases**

Outdoor Accents® post bases secure wood columns to concrete, while providing a 1" standoff height that meets building code requirements and helps reduce decay. These bases are available for lumber in both nominal and rough sizes.

Complete Bases with **Side Plates**

Outdoor Accents decorative side plates attach to the bottom of a post or column to provide a symmetrical finished look to an installed post base. The side plates are purchased separately from the post base and are optional.

Post Base

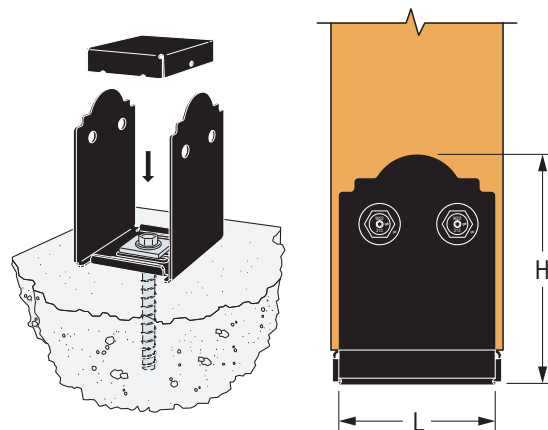
Model No.	Ga.		Dimensions (in.)			Fasteners ⁴		DF/SP Allowable Loads (lb.)	
	Base	Strap	L	W	H	Post (qty.)	Anchor (dia.)	Uplift (160)	Down (100)
APB44	16	12	3	3 ⁹ / ₁₆	7	4	(1) 5/8"	1,035	6,725
APB44R	16	12	3	4 ¹ / ₁₆	6 ³ / ₄	4	(1) 5/8"	1,035	6,725
APB66	12	12	5	5 ¹ / ₂	7 ¹ / ₂	4	(1) 5/8"	1,260	11,450
APB66R	12	12	5	6	7 ¹ / ₄	4	(1) 5/8"	1,260	11,450
APB88	14	12	7	7 ¹ / ₂	10 ⁹ / ₁₆	8	(2) 5/8"	2,670	22,255
APB88R	14	12	7	8	10 ⁹ / ₁₆	8	(2) 5/8"	2,670	22,255
APB1010	14	12	9	9 ¹ / ₂	11	8	(2) 5/8"	2,365	23,725
APB1010R	14	12	9	10	10 ³ / ₄	8	(2) 5/8"	2,365	23,725

- Uplift loads have been increased for earthquake or wind loading with no further increase allowed. Reduce where other loads govern.
- Specifier is to design concrete and anchorage for uplift loads. For information about Titen HD® stainless-steel screw anchors or SET-3G™, see strongtie.com.
- Downloads shall be reduced where limited by the post.
- All post fasteners are Outdoor Accents SDWS22312DBB structural wood screws inserted through an STN22 hex-head washer.
- Post bases do not provide adequate resistance to prevent members from rotating about the base and therefore are not recommended for non-top-supported installations (such as fences or unbraced carports).

Decorative Side Plates

Model No.	Ga.	Dimensions (in.)		Fastener Qty. Column
		W	H	
APB44DSP	12	3	6 ³ / ₄	4
APB66DSP		5	7 ¹ / ₄	
APB88DSP		7	10 ⁹ / ₁₆	8
APB1010DSP		9	10 ³ / ₄	

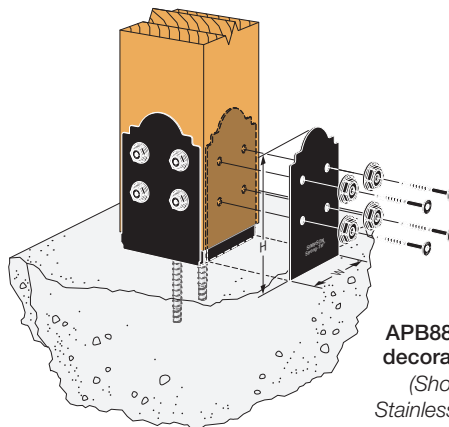
- All fasteners are Outdoor Accents SDWS22312DBB structural wood screws inserted through an STN22 hex-head washer. Quantities listed are for two parts. Fasteners sold separately.
- Install top of decorative side plates flush to top of post base strap legs. Decorative side plates installed on APB post bases will be raised up 1/4" from the bottom of the post base, while installations on rough models will not.



APB44

(Shown installed with Stainless-Steel Titen HD screw anchor)

APB66



APB88 with optional decorative side plate
(Shown using (2) Stainless-Steel Titen HD screw anchors)



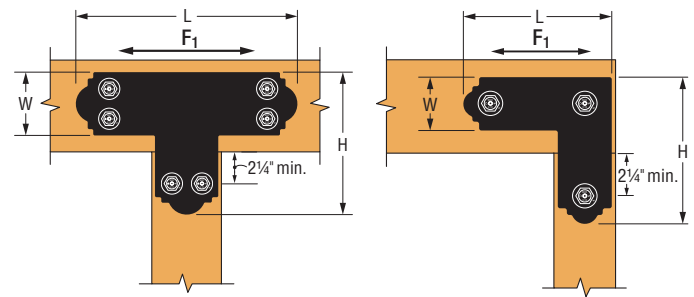
Connect Beam to Columns with **Strap Ties**

The Mission Collection flat T and L strap ties bring decorative flair and structural strength to your outdoor living space or even an indoor project. They provide reinforcement for connections where one lumber piece intersects another at a 90° angle. They're designed to accommodate multiple lumber sizes and must be installed with Outdoor Accents® structural wood screws and hex-head washers.

Beam-to-Column Ties

Model No.	Ga.	Qty. Req. ^{2,3}	Dimensions (in.)			Fastener Qty.		DF/SP Allowable Loads (lb.)	
			W	L	H	Post	Beam	Uplift (160)	F ₁ (160)
APL4	12	2	3	8¼	8¼	2	4	1,155	670
APL6	12	2	5	11¼	11¼	4	6	1,905	1,340
APT4	12	2	3	13½	8¼	2	4	1,330	1,015
APT6	12	2	5	17½	11¼	4	8	2,130	1,425

1. Uplift and lateral loads have been increased for earthquake or wind loading with no further increase allowed. Reduce where other loads govern.
2. Connector table loads and fastener quantities listed are for two parts. For single part installations, use half the listed values.
3. All fasteners are Outdoor Accents SDWS22312DBB structural wood screws inserted through an STN22 hex-head washer. Fasteners sold separately.



APT6

APL4

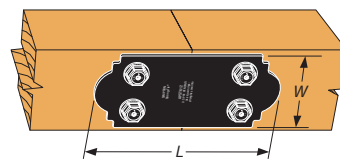
Join Beams with **Flat Straps**

The Mission Collection flat straps work for lumber in both nominal and rough sizes. It can be used to connect two beams together or added to any project as a decorative accent.

Flat Straps

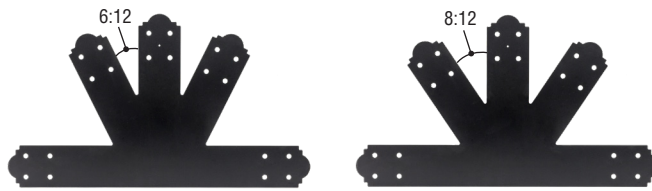
Model No.	Ga.	Dimensions (in.)		Fastener Qty.	DF/SP Allowable Tension Load (160)
		W	L		
APST412	12	3	11¼	8	850
APST612	12	5	11¼	8	1,505

1. Allowable loads have been increased for wind or seismic loads with no further increase allowed.
2. Connector table loads and fastener quantities are listed for two parts. For single part installations, use half the listed values.
3. All fasteners are Outdoor Accents SDWS22312DBB structural wood screws inserted through an STN22 hex-head washer. Fasteners sold separately.



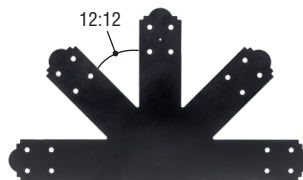
APST612
(APST412 similar)

Mission Collection® Gable Plates



APGP612

APGP812



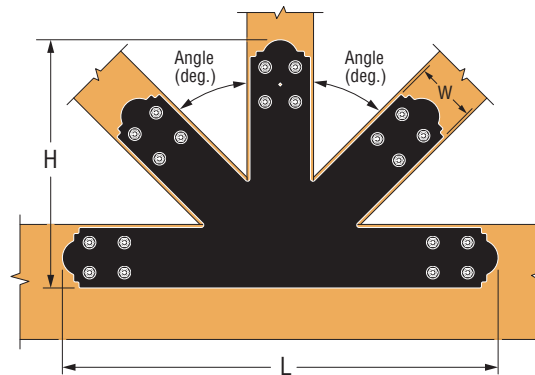
APGP1212

Add Style with **Gable Plates**

The Mission Collection gable plates add a southwestern flair and additional strength to any outdoor living space. They provide reinforcement for a connection from a 6x or larger wood beam to three angled wood braces. Three sizes are available: with the angled braces at 6:12 pitch (27°), 8:12 pitch (34°) and 12:12 pitch (45°). Gable plates are installed with Outdoor Accents® structural wood screws and hex-head washers.

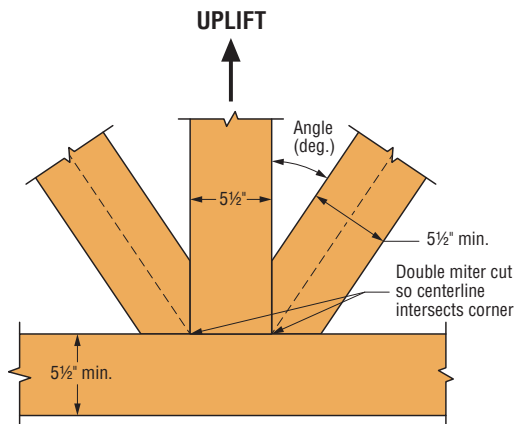
Gable Plates

Model No.	Ga.	Roof Pitch	Angle (deg.)	Dimensions (in.)			Fastener Qty.			DF/SP Allowable Loads (lb.)
				W	H	L	Beam	Center Column	Angled Struts	Uplift (160)
APGP612	12	6:12	27°	5	20½	36	16	8	16	3,925
APGP812		8:12	34°							
APGP1212		12:12	45°							

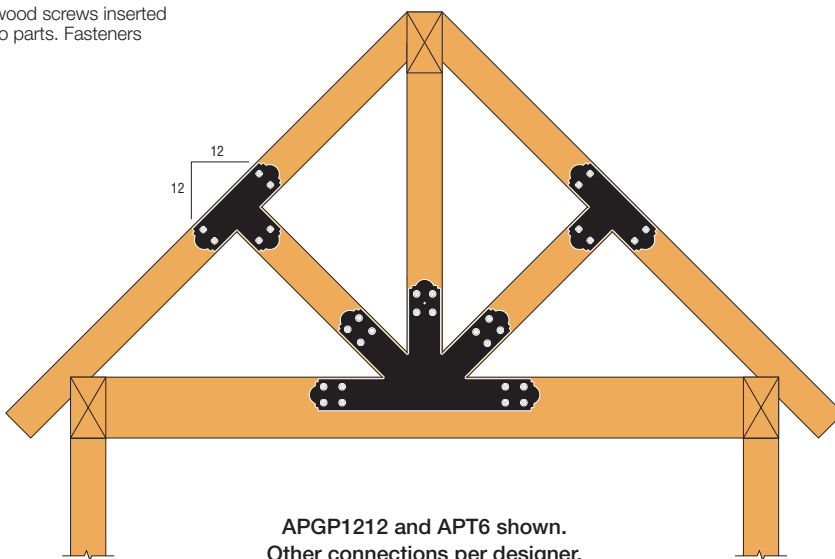


APGP1212 shown

1. Allowable loads have been increased for wind or earthquake loading with no further increase allowed. Reduce where other loads govern.
2. Connector table loads and fastener quantities are listed for two parts. For single part installations, use half the listed values.
3. Uplift loads apply to the connection between the center vertical post and the beam.
4. All fasteners are Outdoor Accents SDWS22312DBB structural wood screws inserted through an STN22 hex-head washer. Quantities listed are for two parts. Fasteners sold separately.



Note:
12:12 will have equal cuts. Other sizes will have unequal cuts.



APGP1212 and APT6 shown.
Other connections per designer.



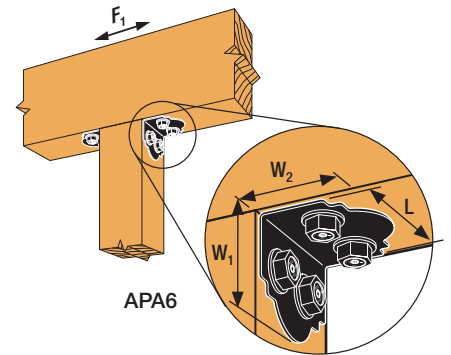
Strengthen Connections with **Angles and Ties**

Outdoor Accents® angles tie together beams, rafters and more. These angles make structural connections between beams and posts stronger and provide consistent, strong corners for a variety of outdoor projects.

Heavy Angles

Model No.	Ga.	Qty. Req. ²	Dimensions (in.)			Fastener Qty. ^{2,3}		DF/SP Allowable Loads (lb.)	
			L	W ₁	W ₂	Post	Beam	Uplift (160)	F ₁ (160)
APA4	12	2	3	3¼	3	2	2	710	1,220
APA6	12	2	5	3¾	3½	4	4	1,350	1,985

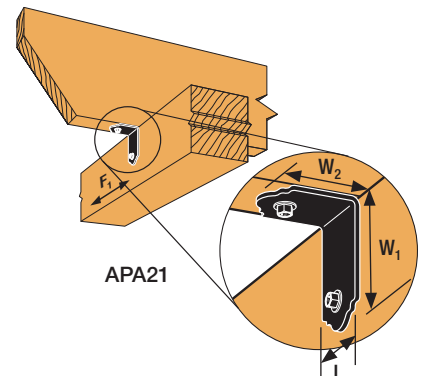
1. Uplift and lateral loads have been increased for earthquake or wind loading with no further increase allowed. Reduce where other loads govern.
2. Connector table loads and fastener quantities listed are for two parts. For single-part installations, use half the listed values.
3. All fasteners are Outdoor Accents SDWS22312DBB structural wood screws inserted through an STN22 hex-head washer. Fasteners sold separately.



Light Rafter Tie

Model No.	Ga.	Dimensions (in.)			Fastener Qty.		DF/SP Allowable Loads (lb.)	
		L	W ₁	W ₂	Rafter	Beam	Uplift (160)	F ₁ (160)
APA21	14	1¾	2	1½	1	1	200	120

1. Uplift and lateral loads have been increased for earthquake or wind loading with no further increase allowed. Reduce where other loads govern.
2. Allowable loads are for a single part.
3. All fasteners are Outdoor Accents SD10112DBB connector screws. Fasteners sold separately.



Mission Collection® Joist Connections



Secure Joists with Ties

The deck joist tie attaches 2x joists to the side of 4x or larger support posts. It installs quickly and easily with the Outdoor Accents® structural wood screw and hex-head washer for the look of a bolted connection.



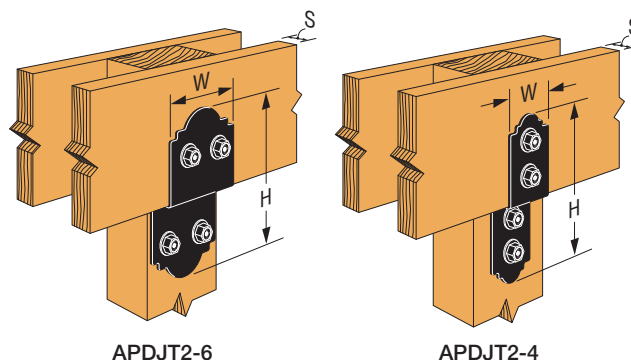
Accent Connections with Decorative Washers

The Mission Collection decorative washer installs easily with the structural wood screw and hex-head washer combination and can be used in a variety of wood-to-wood connections.

Deck Joist Tie

Model No.	Ga.	Dimensions (in.)			Fastener Qty. and Length		DF/SP Allowable Downloads (lb.)	
		S	W	H	Post	Joist	Floor (100)	Roof (125)
APDJT2-4	12	1½	3	10	(2) 3½"	(2) 5½"	1,870	2,340
APDJT1.75-4	12	1¾	3	9¾				
APDJT2R-4	12	2	3	9½				
APDJT2-6	12	1½	5	10	(2) 3½"	(2) 5½"	1,870	2,340
APDJT1.75-6	12	1¾	5	9¾				
APDJT2R-6	12	2	5	9½				

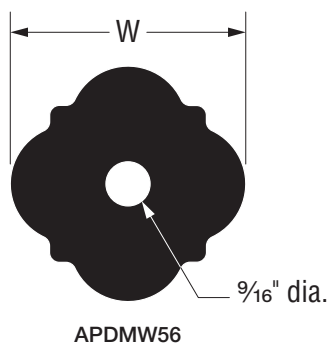
1. Roof loads are 125% of floor loads. Floor loads may be adjusted for other load durations according to the code, provided they do not exceed the roof loads.
2. Loads are per part. APDJT1.75 model loads for Western Red Cedar are 1,430 lb. floor (100) and 1,790 lb. roof (125).
3. Joist fasteners are Outdoor Accents SDWS22512DBB structural wood screws inserted through an STN22 hex-head washer. Post fastener is a SDWS22312DBB inserted through an STN22 hex-head washer. Fasteners sold separately.



Decorative Washer

Model No.	Ga.	Hole Dia. (in.)	W (in.)
APDMW56	12	9/16	3

1. Fastener is an Outdoor Accents SDWS22312DBB structural wood screw inserted through an STN22 hex-head washer.



Mission Collection® Carton Quantities

Outdoor Accents®
Mission Collection®



Post Bases Decorative Side Plate



Angles



Straps



Ties



Gable Plates



Decorative Washer



Decorative Star



Decorative Post Base Wrap

Mission Collection Carton Quantities

Model No.	Description	Master Carton Qty.
Connectors		
APB44	4x4 post base for nominal lumber	8
APB44R	4x4 post base for rough sawn lumber	8
APB66	6x6 post base for nominal lumber	6
APB66R	6x6 post base for rough sawn lumber	6
APB88	8x8 post base for nominal lumber	4
APB88R	8x8 post base for rough sawn lumber	4
APB1010	10x10 post base for nominal lumber	2
APB1010R	10x10 post base for rough sawn lumber	2
APB44DSP	(2) 4x4 post base decorative side plates	8
APB66DSP	(2) 6x6 post base decorative side plates	10
APB88DSP	(2) 8x8 post base decorative side plates	5
APB1010DSP	(2) 10x10 post base decorative side plates	1
APA4	4x heavy angle	12
APA6	6x heavy angle	12
APA21	2x light rafter tie	90
APL4	4x L strap	8
APL6	6x L strap	8
APT4	4x T strap	8
APT6	6x T strap	8
APST412	4x12 flat strap	8
APST612	6x12 flat strap	8
APDJT2-4	4x deck-joist tie	24
APDJT1.75-4	4x- 1.75" deck-joist tie	24
APDJT2R-4	4x rough deck-joist tie	24
APDJT2-6	6x deck-joist tie	12
APDJT1.75-6	6x- 1.75" deck-joist tie	12
APDJT2R-6	6x rough deck joist tie	12
APGP612	Gable Plates 6:12 pitch	2
APGP812	Gable Plates 8:12 pitch	2
APGP1212	Gable Plates 12:12 pitch	2
APDMW56	Decorative washer	24
APDTS3	Decorative star	24
APBDW	Decorative post base wrap	8

Outdoor Accents®



Avant

Collection™

Timeless Beauty.
Enduring Strength.

With straight edges and chamfered corners, structural connectors in the Avant Collection have a clean, contemporary look that complements nearly every design. And with a black powder coat and an innovative hex-head washer-and-fastener combo, contractors and homeowners can easily add both effortless style and tested strength to any outdoor project.





Start Strong with **Post Bases**

Outdoor Accents® post bases secure wood columns to concrete, while providing a 1" standoff height that meets building code requirements and helps reduce decay. These bases are available for lumber in both nominal and rough sizes.

Complete Bases with **Side Plates**

Outdoor Accents decorative side plates attach to the bottom of a post or column to provide a symmetrical finished look to an installed post base. The side plates are purchased separately from the post base and are optional.

Post Base

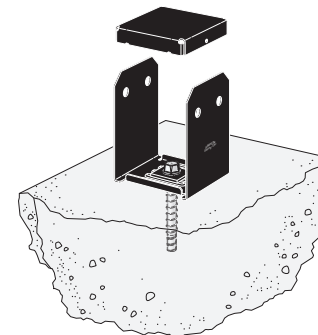
Model No.	Ga.		Dimensions (in.)			Fastener Qty. ⁵		DF/SP Allowable Loads (lb.)	
	Base	Strap	L	W	H	Post (qty.)	Anchor (dia.)	Uplift (160)	Down (100)
APVB44	16	12	3	3 ⁹ / ₁₆	6 ³ / ₄	4	(1) 5/8"	1,035	6,725
APVB44R	16	12	3	4 ¹ / ₁₆	6 ¹ / ₂	4	(1) 5/8"	1,035	6,725
APVB66	12	12	5	5 ¹ / ₂	6 ¹³ / ₁₆	4	(1) 5/8"	1,260	11,450
APVB66R	12	12	5	6	6 ⁹ / ₁₆	4	(1) 5/8"	1,260	11,450
APVB88	14	12	7	7 ¹ / ₂	9 ⁷ / ₈	8	(2) 5/8"	2,670	22,255
APVB88R	14	12	7	8	9 ⁵ / ₈	8	(2) 5/8"	2,670	22,255
APVB1010	14	12	9	9 ¹ / ₂	9 ³ / ₄	8	(2) 5/8"	2,365	23,725
APVB1010R	14	12	9	10	9 ¹ / ₂	8	(2) 5/8"	2,365	23,725

1. Uplift loads have been increased for wind or earthquake loading with no further increase allowed. Reduce where other loads govern.
2. Specifier is to design concrete and anchorage for uplift loads. For information about Titen HD® stainless-steel screw anchors or SET-3G™, see strongtie.com.
3. Specifier is to design concrete and anchorage for uplift loads.
4. Downloads shall be reduced where limited by capacity of the post.
5. All post fasteners are Outdoor Accents SDWS22312DBB structural wood screws inserted through an STN22 hex-head washer. Fasteners sold separately.
6. Post bases do not provide adequate resistance to prevent members from rotating about the base and therefore are not recommended for installations that lack top support (such as fences or unbraced carports).

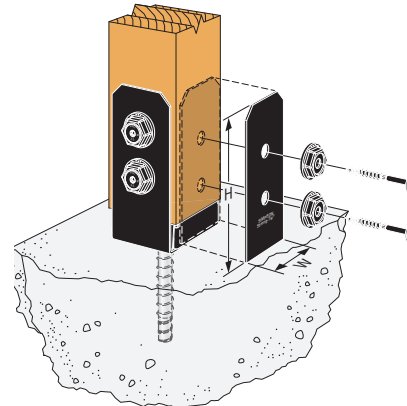
Decorative Side Plates

Model No.	Ga.	Dimensions (in.)		Fastener Qty.
		W	H	
APVB44DSP	12	3	6 ¹ / ₂	4
APVB66DSP		5	6 ⁹ / ₁₆	
APVB88DSP		7	9 ⁵ / ₈	8
APVB1010DSP		9	9 ¹ / ₂	

1. All fasteners are Outdoor Accents SDWS22312DBB structural wood screws inserted through an STN22 hex-head washer. Quantities listed are for two parts. Fasteners sold separately.
2. Install top of decorative side plates flush to top of post base strap legs. Decorative side plates installed on APVB post bases will be raised up 1/4" from the bottom of the post base, while installations on rough models will not.



APVB44
(Shown installed with Stainless-Steel Titen HD screw anchor)



APVB44DSP shown with APVB44 post base
(Shown installed with Stainless-Steel Titen HD screw anchor)

Avant Collection™ Strap Ties



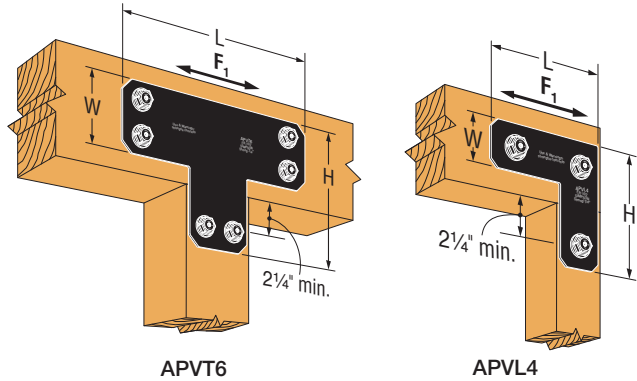
Connect Beam to Post with **Strap Ties**

The Avant Collection flat T and L strap ties add contemporary flair and structural strength to your outdoor living space or even an indoor project. They provide reinforcement for connections where one lumber piece intersects another at a 90° angle. They're designed to accommodate multiple lumber sizes and must be installed with Outdoor Accents® structural wood screws and hex-head washers.

Beam-to-Column Ties and Flat Straps

Model No.	Ga.	Dimensions (in.)			Fastener Qty.		DF/SP Allowable Loads (lb.)	
		W	L	H	Post	Beam	Uplift (160)	F ₁ (160)
APVL4	12	3	8¼	8¼	2	4	1,155	670
APVL6	12	5	10½	10½	4	6	1,905	1,340
APVT4	12	3	13½	8¼	2	4	1,330	1,015
APVT6	12	5	16	10½	4	8	2,130	1,425

1. Allowable loads have been increased for wind or earthquake loading with no further increase allowed. Reduce where other loads govern.
2. Connector table loads and fastener quantities are listed for two parts. For single part installations, use half the listed values.
3. All fasteners are Outdoor Accents SDWS22312DBB structural wood screws inserted through an STN22 hex-head washer. Fasteners sold separately.



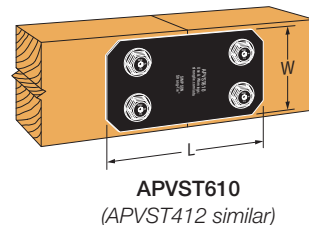
Join Beams with **Flat Straps**

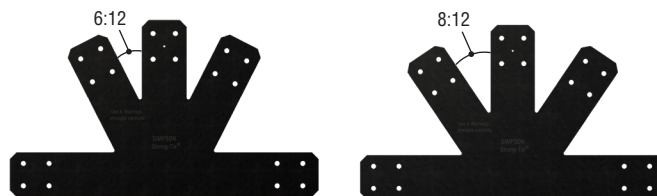
The Avant Collection flat straps work for lumber in both nominal and rough sizes. They can be used to connect two beams together or added to any project as a decorative accent.

Flat Straps

Model No.	Ga.	Dimensions (in.)		Fastener Qty.	DF/SP Allowable Tension Load (160)
		W	L		
APVST412	12	3	11¼	8	850
APVST610	12	5	9¾	8	1,505

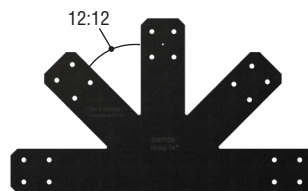
1. Allowable loads have been increased for wind or seismic loads with no further increase allowed.
2. Connector table loads and fastener quantities are listed for two parts. For single part installations, use half the listed values.
3. All fasteners are Outdoor Accents SDWS22312DBB structural wood screws inserted through an STN22 hex-head washer. Fasteners sold separately.





APVGP612

APVGP812



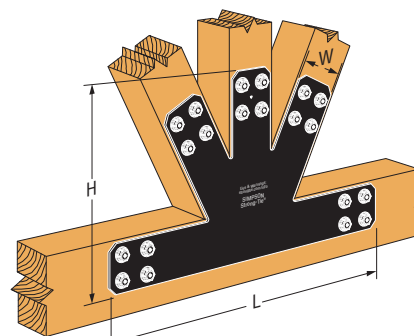
APVGP1212

Add Style with Gable Plates

The Avant Collection gable plates add a contemporary flair and additional strength to any outdoor living space. They provide reinforcement for a connection from a wood beam to three angled wood braces. Three sizes are available: with the angled braces at 6:12 pitch (27°), 8:12 pitch (34°) and 12:12 pitch (45°). Gable plates are installed with Outdoor Accents® structural wood screws and hex-head washers.

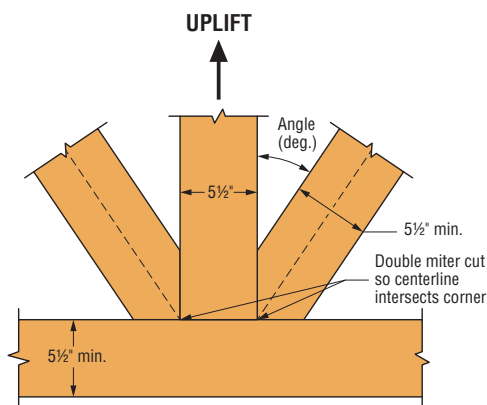
Gable Plates

Model No.	Ga.	Roof Pitch	Angle (deg.)	Dimensions (in.)			Fastener Qty.			DF/SP Allowable Loads (lb.)
				W	H	L	Beam	Center Column	Angled Struts	Uplift (160)
APVGP612	12	6:12	27°	5	19¾	34½	16	8	16	3,925
APVGP812		8:12	34°							
APVGP1212		12:12	45°							

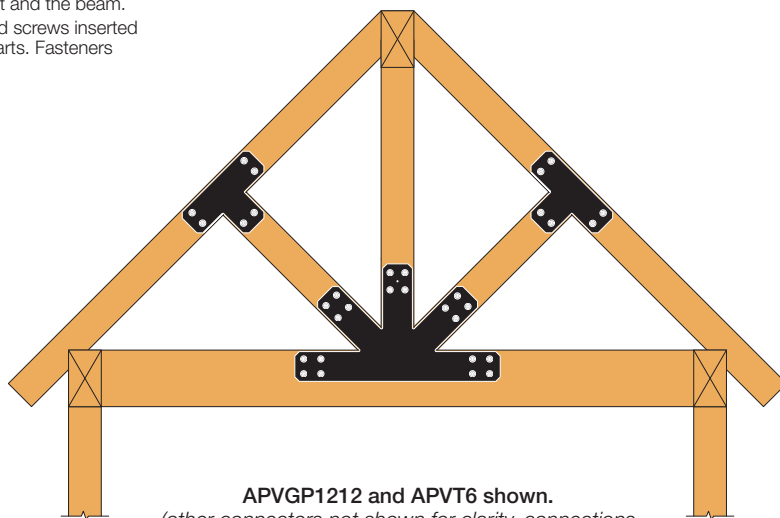


APVGP612

1. Allowable loads have been increased for wind or earthquake loading with no further increase allowed. Reduce where other loads govern.
2. Connector table loads and fastener quantities are listed for two parts. For single part installations, use half the listed values.
3. Uplift loads apply to the connection between the center vertical post and the beam.
4. All fasteners are Outdoor Accents SDWS22312DBB structural wood screws inserted through an STN22 hex-head washer. Quantities listed are for two parts. Fasteners sold separately.



Note: 12:12 will have equal cuts. Other sizes will have unequal cuts.



APVGP1212 and APVT6 shown.
(other connectors not shown for clarity, connections and roof pitch designed by others.)



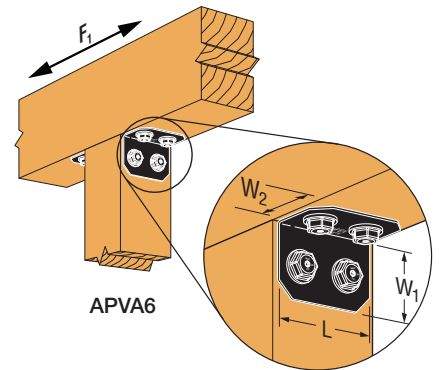
Strengthen Connections with **Angles and Ties**

Outdoor Accents® angles tie together beams, rafters and more. These angles make structural connections between beams and posts stronger and provide consistent, strong corners for a variety of outdoor projects.

Heavy Angles

Model No.	Ga.	Dimensions (in.)			Fastener Qty.		DF/SP Allowable Loads (lb.)	
		L	W ₁	W ₂	Post	Beam	Uplift (160)	F ₁ (160)
APVA4	12	3	3¼	3	2	2	710	1,220
APVA6	12	5	3¼	3	4	4	1,350	1,985

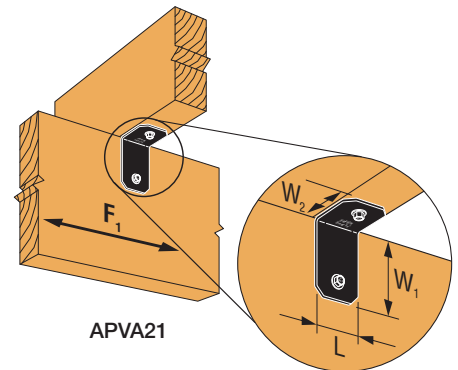
1. Allowable loads have been increased for wind or earthquake loading with no further increase allowed. Reduce where other loads govern.
2. Connector table loads and fastener quantities are listed for two parts. For single part installations, use half the listed values.
3. All fasteners are Outdoor Accents SDWS22312DBB structural wood screws inserted through an STN22 hex-head washer. Fasteners sold separately.



Light Rafter Tie

Model No.	Ga.	Dimensions (in.)			Fastener Qty.		DF/SP Allowable Loads (lb.)	
		L	W ₁	W ₂	Rafter	Beam	Uplift (160)	F ₁ (160)
APVA21	14	1⅝	2	1½	1	1	200	120

1. Allowable loads have been increased for wind or earthquake loading with no further increase allowed. Reduce where other loads govern.
2. Allowable loads are for a single part.
3. All fasteners are Outdoor Accents SD10112DBB connector screws. Fasteners sold separately.

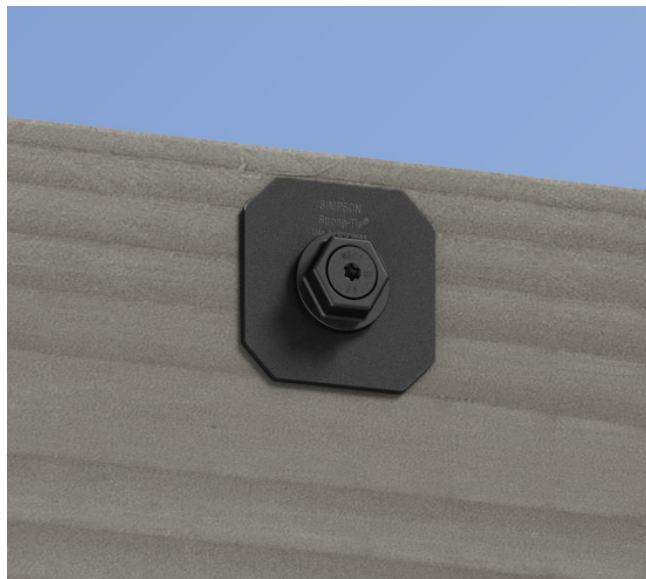


Avant Collection™ Joist Connections



Secure Joists with Ties

The deck joist tie attaches 2x joists to the side of 4x or larger support posts. It installs quickly and easily with the Outdoor Accents® structural wood screw and hex-head washer for the look of a bolted connection.



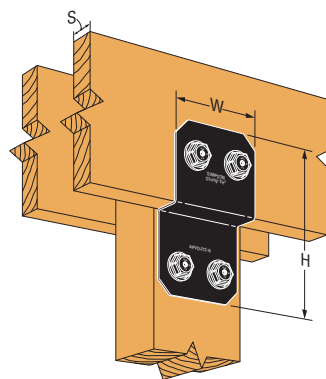
Accent Connections with Decorative Washers

The Avant Collection decorative washer installs easily with the structural wood screw and hex-head washer combination and can be used in a variety of wood-to-wood connections.

Deck Joist Tie

Model No.	Ga.	Dimensions (in.)			Fastener Qty. and Length		DF/SP Allowable Downloads (lb.)	
		S	W	H	Post	Joist	Floor (100)	Roof (125)
APVDJT2-4	12	1½	3	10				
APVDJT1.75-4	12	1¾	3	9¾	(2) 3½"	(2) 5½"	1,870	2,340
APVDJT2R-4	12	2	3	9½				
APVDJT2-6	12	1½	5	8½				
APVDJT1.75-6	12	1¾	5	8¼	(2) 3½"	(2) 5½"	1,870	2,340
APVDJT2R-6	12	2	5	8				

1. Roof loads are 125% of floor loads unless limited by other criteria. Floor loads may be adjusted for load durations according to the code, provided they do not exceed those in the roof column.
2. Loads are per part. APVDJT1.75 model loads for Western Red Cedar are 1,430 lb. floor (100) and 1,790 lb. roof (125).
3. Joist fasteners are Outdoor Accents SDWS22512DBB structural wood screws inserted through an STN22 hex-head washer. Post fasteners are Outdoor Accents SDWS22312DBB structural wood screws inserted through an STN22 hex-head washer. Fasteners sold separately.

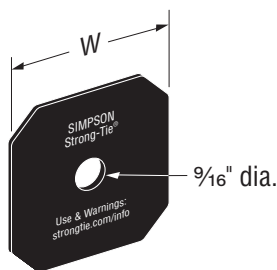


APVDJT2-6

Decorative Washer

Model No.	Ga.	Hole Dia. (in.)	W (in.)
APVDW56	12	9/16	3

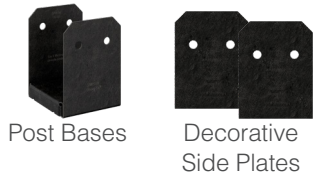
1. Fastener is an Outdoor Accents SDWS22312DBB structural wood screw inserted through an STN22 hex-head washer.



APVDW56

Avant Collection™ Carton Quantities

Outdoor Accents®
Avant Collection™



Avant Collection Carton Quantities

Model No.	Description	Master Carton Qty.
APVB44	4x4 post base for nominal lumber	8
APVB44R	4x4 post base for rough sawn lumber	8
APVB66	6x6 post base for nominal lumber	6
APVB66R	6x6 post base for rough sawn lumber	6
APVB88	8x8 post base for nominal lumber	4
APVB88R	8x8 post base for rough sawn lumber	4
APVB1010	10x10 post base for nominal lumber	2
APVB1010R	10x10 post base for rough sawn lumber	2
APVB44DSP	(2) 4x4 post base decorative side plates	8
APVB66DSP	(2) 6x6 post base decorative side plates	10
APVB88DSP	(2) 8x8 post base decorative side plates	5
APVB1010DSP	(2) 10x10 post base decorative side plates	1
APVA4	4x heavy angle	12
APVA6	6x heavy angle	12
APVA21	2x light rafter tie	90
APVL4	4x L strap	8
APVL6	6x L strap	8
APVT4	4x T strap	8
APVT6	6x T strap	8
APVST412	4x12 flat strap	8
APVST610	6x10 flat strap	8
APVDJT2-4	4x deck-joist tie	24
APVDJT1.75-4	4x- 1.75" deck-joist tie	24
APVDJT2R-4	4x rough deck-joist tie	24
APVDJT2-6	6x deck-joist tie	12
APVDJT1.75-6	6x- 1.75" deck-joist tie	12
APVDJT2R-6	6x rough deck joist tie	12
APVGP612	Gable Plates 6:12 pitch	2
APVGP812	Gable Plates 8:12 pitch	2
APVGP1212	Gable Plates 12:12 pitch	2
APVDW56	Decorative washer	24



Finish Installations Faster with **Structural Wood Screws**

The Outdoor Accents® structural wood screw for both the Mission Collection® and Avant collection™ reduces installation time by driving easily without predrilling. When combined with the patented, load-rated hex-head washer, this combination is the only approved solution for fastening Outdoor Accents connectors.

Outdoor Accents Structural Wood Screw — Wood to Wood

Model No.	Size (in.)	Thread Length (in.)	Allowable Shear Loads (lb.)			Allowable Withdrawal Loads (lb./in.)		
			2x Wood Side Member			DF/SP	SPF/HF	Western Cedar
			DF/SP	SPF/HF	Western Cedar			
SDWS22312DBB	0.22 x 3½	2	255	190	225	164	151	142
SDWS22512DBB	0.22 x 5½	2¾	405	405	230	214	187	

1. Allowable loads are for connections between two members with full screw thread penetration into the main member.
2. Allowable loads are shown at a wood load duration factor of $C_D = 1.0$. Loads may be increased for load duration per the building code up to a $C_D = 1.6$. Tabulated values must be multiplied by all applicable NDS adjustment factors.
3. Minimum spacing, edge, and end distance requirements are per IAPMO-UES ER-192.
4. Loads are based on installation into the side grain of the wood with the screw axis perpendicular to the face of the member.



SDWS22312DBB
US Patent 9,523,383

Outdoor Accents Structural Wood Screw with Hex-Head Washer — Wood to Wood/Steel Side Plate

Model No.	Screw Length (in.)	Thread Length (in.)	Allowable Shear Loads (lb.)					
			2x Wood to Wood			12-Ga. Steel Side Member		
			DF/SP	SPF/HF	Western Cedar	DF/SP	SPF/HF	Western Cedar
SDWS22312DBB and STN22	3½	2	235	192	179	470	385	320
SDWS22512DBB and STN22	5½	2¾	465	430	395	640	495	425

1. Allowable loads are for connections between two members with full thread penetration into the main member.
2. Allowable loads are shown at the wood load duration factor of $C_D = 1.0$. Loads may be increased for load duration per the building code up to a $C_D = 1.60$. Tabulated values must be multiplied by all applicable adjustment factors per the NDS.
3. Minimum spacing, edge and end distance requirements are per IAPMO UES ER-192.
4. Loads are based on installation into the side grain of the wood with the screw axis perpendicular to the face of the member.



SDWS22312DBB with STN22



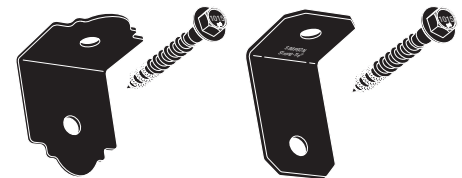
Fasten Connections Easily with **Connector Screws**

Designed for installation with both Outdoor Accents® Mission Collection® APA21 and Avant Collection™ APVA21 90°-angle, the screw's black finish accents any outdoor living project. The sharp point of the screw enables fast starts, and the patented serrated threads reduce torque for improved drivability.

Outdoor Accents Connector Screw

Model No.	Size (in.)	Thread Length (in.)	DF/SP Allowable Loads		SPF/HF Allowable Loads	
			Shear Steel Side Plate (lb.) 20 ga.–12 ga.	Withdrawal (lb./in.)	Shear Steel Side Plate (lb.) 20 ga.–12 ga.	Withdrawal (lb./in.)
SD10112DBB	#10 x 1 1/2"	1	173	173	138	122

1. Allowable loads are shown at the wood load duration factor of $C_D = 1.00$. Loads may be increased for load duration per the building code up to a $C_D = 1.60$. Tabulated values must be multiplied by all applicable NDS adjustment factors.
2. Withdrawal loads and steel-side-plate shear loads are based on testing per AC233.
3. Withdrawal loads are based on penetration of the screw's entire thread length into the main member.
4. Visit strongtie.com for wood-to-wood shear values and wood-side-plate details.



SD10112DBB with APA21

SD10112DBB with APVA21

Fasteners and Hex-Head Washer Carton Quantities

Model No.	Description	Master Carton Qty.
Fasteners		
STN22-R8	Hex-head washer 8 pc.	10
STN22-R24	Hex-head washer 24 pc.	6
SDWS22312DBBRC12	3 1/2" structural wood screw 12 pc.	10
SDWS22312DBB-R50	3 1/2" structural wood screw 50 pc.	6
SDWS22512DBBRC12	5 1/2" structural wood screw 12 pc.	10
SDWS22512DBB-R50	5 1/2" structural wood screw 50 pc.	6
SD10112DBBR50	#10 x 1 1/2" connector screw 50 pc.	5
SDWS22312DBB-RN1	3 1/2" structural wood screw with STN22 hex-head washer 1 set	20
SDWS22512DBB-RN1	5 1/2" structural wood screw with STN22 hex-head washer 1 set	20

Essentials Collection Joist Hangers



Attach Joists with Concealed Flange Hangers

The light joist hangers connect 2x joists to beams. These hangers feature straight edges and provide a clean-looking installation. APLH hangers install easily with our connector screw and work with all Outdoor Accents® collections.



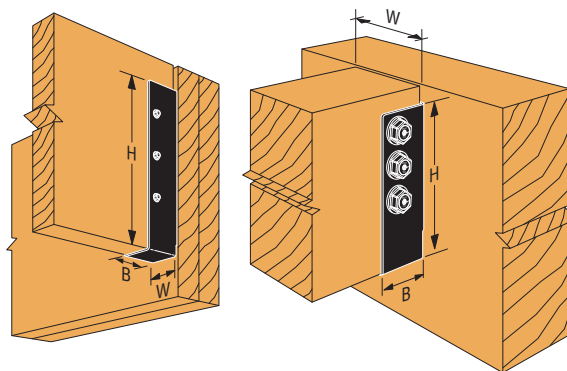
Support Large Beams with Heavy Hangers

Used with both Mission and Avant styles, the heavy concealed hanger connects 4x or 6x beams to girders or posts. It installs with the Strong-Drive® SDS Heavy-Duty Connector screw and with the Outdoor Accents structural wood screw and hex-head washer.

Light Joist Hanger

Joist Size	Model No.	Ga.	Dimensions (in.)			Fastener Qty. ²		DF/SP Allowable Loads (lb.)			
			W	H	B	Header	Joist	Uplift (160)	Floor (100)	Snow (115)	Roof (125)
2x4	APLH24	14	1 9/16	3 5/16	1 7/8	4	2	315	690	795	865
	APLH24R		2 1/16	3 1/16							
2x6 or 2x8	APLH26	14	1 9/16	5 1/8	1 7/8	6	4	900	1,040	1,195	1,300
	APLH1.75-6		1 13/16	5							
	APLH26R		2 1/16	4 7/8							
2x10 or 2x12	APLH210	14	1 9/16	8	1 7/8	10	6	1,345	1,730	1,990	2,165
	APLH1.75-10		1 13/16	7 7/8							
	APLH210R		2 1/16	7 3/4							

- Uplift loads have been increased for earthquake or wind loading with no further increase allowed. Reduce where other loads govern.
- All fasteners are Outdoor Accents SD10112DBB connector screws. Fasteners sold separately.



APLH210

APHH610

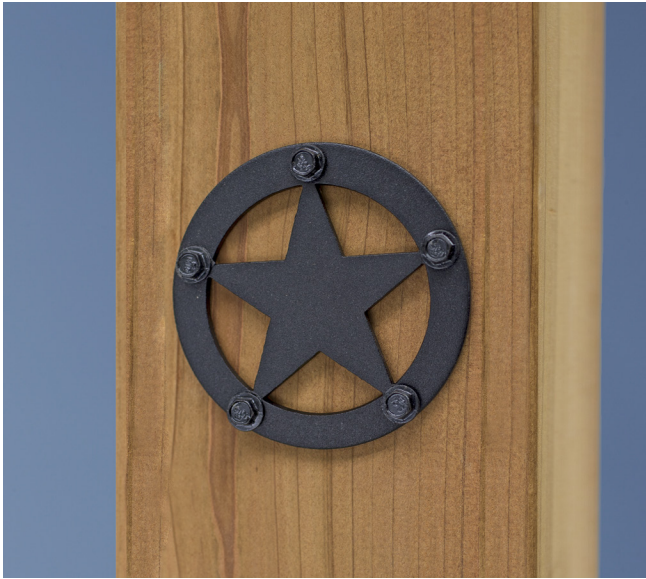
Heavy Joist Hanger

Joist Size	Model No.	Ga.	Dimensions (in.)			Fastener Qty. ²		DF/SP Allowable Loads (lb.)			
			W	H	B	Header	Joist	Uplift (160)	Floor (100)	Snow (115)	Roof (125)
4x6 or 4x8	APHH46	12	3 3/16	5 1/8	3	6	2	1,165	2,280	2,280	2,280
	APHH46R		4 1/16	4 7/8							
6x10 or 6x12	APHH610	12	5 1/2	8 1/2	3	14	6	4,140	5,880	6,760	7,350
	APHH610R		6	8 1/4							

- Uplift loads have been increased for earthquake or wind loading with no further increase allowed. Reduce where other loads govern.
- Header fasteners are Simpson Strong-Tie SDS25300 heavy-duty connector screws and joist fasteners are Outdoor Accents SDWS22312DBB structural wood screws with STN22 hex-head washer. Fasteners sold separately.

Hanger Carton Quantities

Model No.	Description	Master Carton Qty.
APLH24	2x4 light joist hanger	12
APLH24R	2x4 rough light joist hanger	12
APLH26	2x6 or 2x8 light joist hanger	24
APLH1.75-6	2x6 or 2x8 light joist hanger	24
APLH26R	2x6 or 2x8 rough light joist hanger	24
APLH210	2x10 or 2x12 light joist hanger	12
APLH1.75-10	2x10 or 2x12 light joist hanger	12
APLH210R	2x10 or 2x12 rough light joist hanger	12
APHH46	4x6 or 4x8 heavy hanger	2
APHH46R	4x6 or 4x8 rough heavy hanger	2
APHH610	6x10 or 6x12 heavy hanger	2
APHH610R	6x10 or 6x12 rough heavy hanger	2



Add Flair with a **Decorative Star**

The APDTS3 decorative star installs easily with the Outdoor Accents® connector screw and can be used in a variety of wood projects.

Decorative Star

Model No.	Ga.	Fastener Qty.	W (in.)
APDTS3	12	(5) #10 x 1 ½"	3

1. Fasteners are Outdoor Accents SD10112DBB connector screws.



Decorative Post Cap

The APDPC decorative post cap provides moisture protection and a decorative appearance to wooden post tops. The black textured composite material has UV protection.

Decorative Post Cap

Model No.	Post Size	Installs With
APDPC4	4x4	0.131" x 2½" or 0.148" x 3" nails
APDPC6	6x6	0.131" x 2½" or 0.148" x 3" nails



Wrap **Post Bases** in Style

The APBDW decorative post base wrap is a four-piece, black composite cover that covers most nominal 4x4 and 6x6 post bases.

Decorative Post Base Wrap

Model No.	Post Size	H	W	Installs With	Coating Material	Packaging Quantity
APBDW44	4x4	10 11/16"	4 3/4"	(12) black screws (included)	Composite Plastic	(1) 4-sided set
APBDW66	6x6	11 7/16"	6 7/8"	(12) black screws (included)	Composite Plastic	(1) 4-sided set

Accessory Carton Quantities

Model No.	Description	Master Carton Qty.
APDTS3	decorative star	24
APDPC4	decorative post cap	25
APDPC6	decorative post cap	25
APBDW	decorative post base wrap	8

New Additions Coming Soon

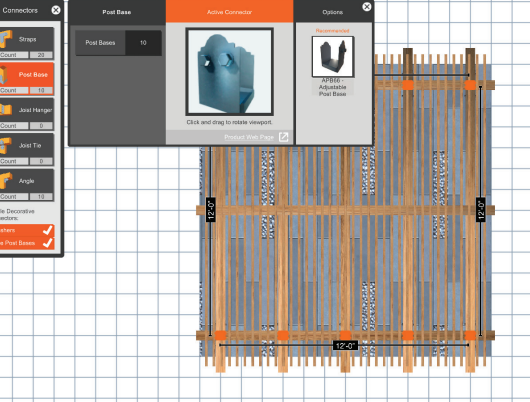


Bottle Opener
(APBO-KT)

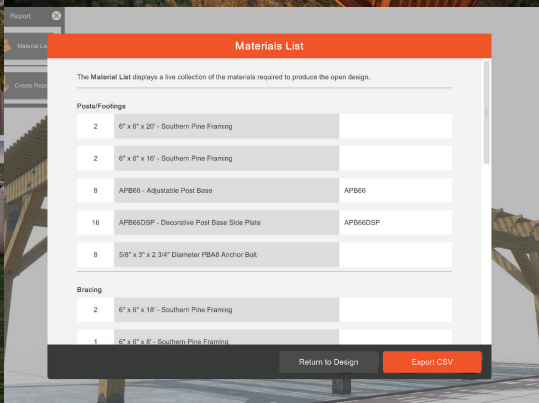


New 4x Gable Plate
(APVGP1212-4)

See strongtie.com/outdooraccents for more information.



Your dream backyard starts here.



Help your customers build their dream backyard with Deck Planner Software™ and Pergola Planner Software™ from Simpson Strong-Tie. Easily design a strong and beautiful deck, pergola or other popular structure in just minutes using prebuilt templates or custom dimensions. Work in 2D or 3D environments and select wood species or additional features from a full library of options. Then just print out the plan view and materials list. Your clients, and your business, will thank you.

To learn more about our free downloadable software, visit our website at go.strongtie.com/ pergolaplannersoftware.

